

Continental Eagle Inclined Cleaner

96" and 120" Widths



First Stage Cleaning • Inclined Cleaner over Stick Machine. Hanging Guards were removed for photographic illustration.



*Second Stage Cleaning
Inclined Cleaners over Impact Cleaners*

**Versatile, Efficient, Rugged -
Quality Engineered.
Continental Eagle's Inclined
Cleaner is designed to meet
your ginning requirements.**

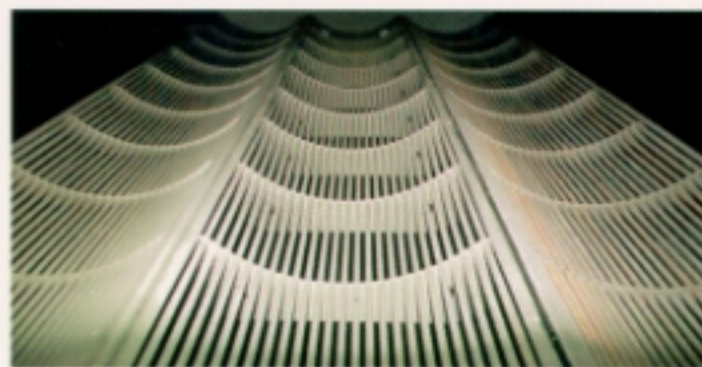
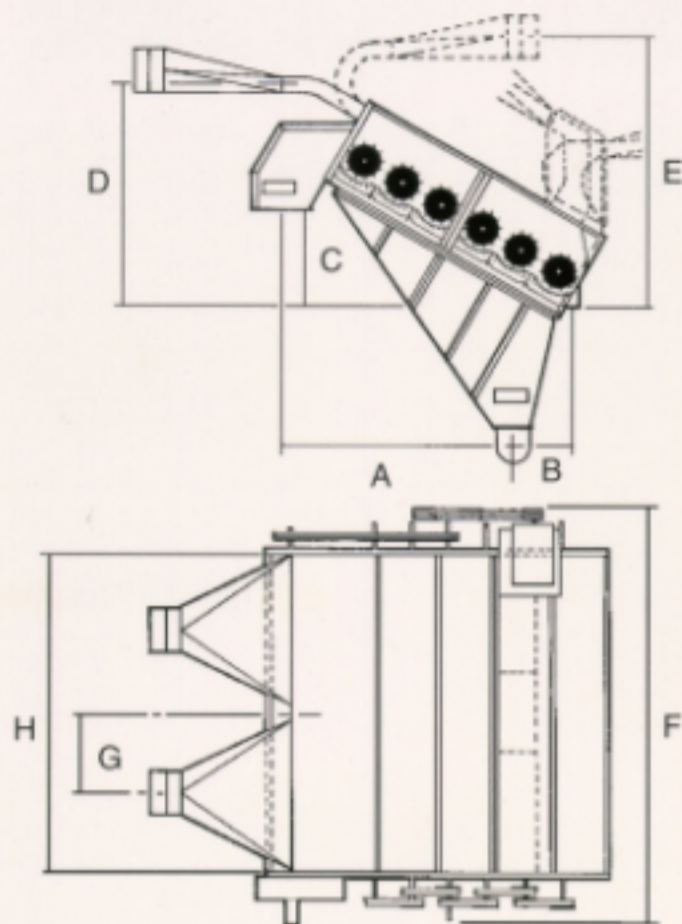
Unsurpassed in seed cotton conditioning and trash removal, Continental Eagle's Inclined Cleaners are a vital part of the "Balanced Out-

fit" that provide optimum capacity, high quality and increased profits. Working alone or in combination with other cleaners, the Continental Eagle Inclined Cleaner can be used in numerous arrangements. The choice of 96" or 120" width assures you of getting just the right cleaner for your individual ginning requirements.

Every feature of the Inclined Cleaner is designed for maximum efficiency and performance. Twin inlets provide full-width distribution of seed cotton. The cog belt drive supplies positive, uniform power to all cylinders. Use of a multiple blade vacuum feeder at the discharge assures a smooth, even output at any capacity. Continental Eagle's Inclined Cleaners utilize individual grid bar screens for gentle trash removal and easy replacement.

The advanced engineering design of the spiked cylinder and grid bar screen insures removal of leaf, pin and pepper trash. Sturdiness and high quality are evident throughout the Inclined Cleaner's structural design. The heavy angle steel base frame means durability and longer life; reinforced heavy gauge doors, covers and dust hopper add rigidity to construction. Bearings and covers are sealed throughout, with sealing strips inserted between all bolted connections. Air and dust seals on all shafts provide for a sealed cleaner.

Continental Eagle Inclined Cleaner 96" and 120" Widths



Grid Bar Section



First Stage Cleaning
Inclined Cleaners over Stick Machines

Dimensions

	96" (2438)	120" (3048)
A	7' 4-15/16" (2259)	7' 1-15/16" (2182.8)
B	1' 7-5/8" (498.5)	1' 10-5/8" (574.7)
C	3' 1-1/4" (946)	3' 1-1/4" (946)
D	7' 3-5/8" (2225.7)	7' 3-5/8" (2225.7)
E	8' 3-3/8" (2524)	8' 3-5/8" (2524)
F	11' (3352.8)	13' (3962.4)
G	2' 2-1/2" (673)	2' 8" (812.8)
H	8' (2438.4)	10' (3048)

(Millimeters)

Technical Specifications

Capacity 25-30 Bales per hour - 120 in.
20-24 Bales per hour - 96 in.

Cleaning Screens:
Type Grid Bar
Distance between bars 5/8 in. (16 mm)

Electric Motor (not included) 15 hp (11 kw)

Cleaning Cylinder:
Number 6
Diameter 15-1/2 in. (394 mm)
Shaft Diameter 2-3/16 in. (55.6 mm)

Weight 13,000 lb. (5897 kg) - 120 in.
9,000 lb. (4445 kg) - 96 in.

- Used as Gravity Cleaner or as Hot Air Cleaner in Drying System.
- Individual Grid Bar Screens for gentle trash removal and easy replacement.
- Extraordinary removal of large and small trash – leaf, pin and pepper.
- Sealed bearings throughout for absolute minimum maintenance.
- Cog Belt Drive assures positive uniform power to all cylinders.
- Twin inlets for full width distribution of seed cotton.
- Heavy steel construction for longer life.
- Reinforced heavy gauge doors, covers and Dust Hopper add rigidity to construction. Covers are sealed with felt packing and sealing strips are inserted between all bolted connections. Easy accessibility for maintenance.
- Air and Dust Seals on all shafts minimize dust emission.

Spiked Cylinder Design



ALL DESIGNS, SPECIFICATIONS AND RATINGS ARE SUBJECT TO CHANGE WITHOUT NOTICE

Manufactured and Marketed by



BAJAJ STEEL INDUSTRIES LIMITED

IMAMBADA ROAD, NAGPUR- 440 018. INDIA
Tel: +91-712-272 0071 ~ 80 Fax: +91-712-272 8050 / 272 3068
email : cecsales@bajajngp.com / bsi@bajajngp.com
website : www.bajajngp.com

In collaboration with:
**CONTINENTAL
EAGLE
CORPORATION**
SINCE 1832

Telephone: (334) 365-8811 • Fax: (334) 361-7627
Web Site: www.coneagle.com